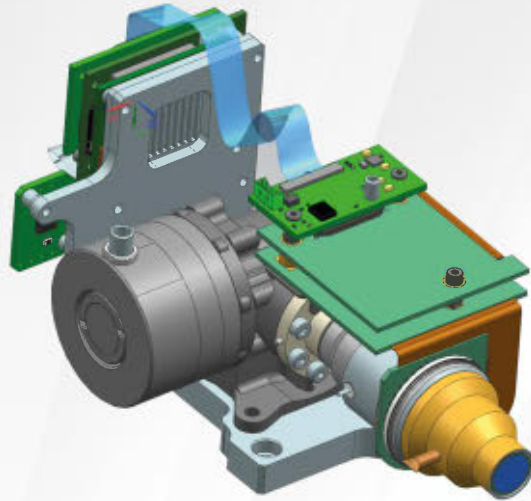


TEOPS

ELECTRO-OPTICAL SYSTEMS

MWIR CORE



FEATURES

- SWaP optimized
- Design according to Military Standards
- Advance image processing algorithms
- Lens options available

SPECIFICATION	VALUE	
ELECTRO-OPTICAL SPECIFICATIONS		
Wavelength	3.7-4.8 μm (MWIR)	
Detector Resolution	640 x 512	
F/#	4.0 / 5.5	
Pixel Pitch	15 μm	
NETD (20°C BB, %35 WF)	25 mK	
Operability	%99.5	
Frame Rate	60 Hz	
MTF @ Nyquist	0.4	
Cold Shield Height	19.1 mm	
Cool-Down Time (22°C)	5 min 30 s	
FPA Operating Temperature	90 K	
INTERFACES		
Communication	Ethernet	
Image Output	Ethernet / HD-SDI	
Image Processing Options	Field correction, bad pixel replacement, non-uniformity correction, image compression (H.264)	
Power	12 V DC x 2	
Power Consumption	Steady State	11 W
	Cool-Down Stage	20 W
ENVIRONMENTAL SPECIFICATIONS		
Operating Temperature	-40°C to +65°C	
Storage Temperature	-40°C to +71°C	
MECHANICAL SPECIFICATIONS		
Weight	550 g	
Dimensions	120 x 80 x 66 mm	

