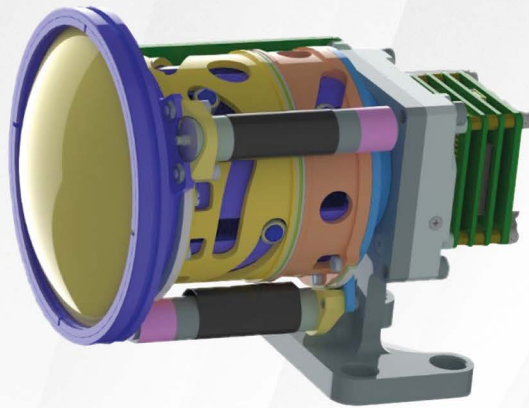


TEOPS

ELECTRO-OPTICAL SYSTEMS

OPEN FRAME UNCOOLED LWIR SWaP CAMERA



FEATURES

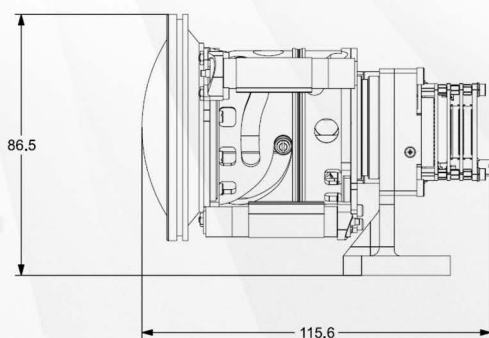
- SWaP optimized
- Design according to Military Standards
- High range performance
- Advance image processing algorithms
- Fast start up time
- Different lens alternatives available

www.teops.com.tr

info@teops.com.tr

SPECIFICATION	VALUE
ARRAY SPECIFICATIONS	
Array Type	Uncooled Microbolometer
Detector Pitch	12 μm (17 μm optional)
Spectral Band	8 μm to 14 μm
Detector Resolution	640 x 480 (Lynred PICO640 and ATTO640)
Sensitivity (F/1, 300 K)	< 50 mK (< 30 mK optional)
Pixel Operability	> % 99.5 (% 99.8 optional)
IMAGING SPECIFICATIONS	
Frame Rate	25/30/50/60 Hz
Time-to-image	< 2 sec
Digital Zoom	x1, x2, x3, x4
Noise Cancelation	Adaptive Temporal and Spatial Noise Cancelation
Detail Enhancement	Digital Detail Enhancement
Image Enhancement	Plateau-based Adaptive Histogram Equalization/Linear/Manual
Contrast Enhancement	Local Contrast Enhancement
Color Palette	Up to 8 different palette
Live Calibration	With Shutter (periodic or externally controllable)
Narrow HFOV	5.8°
Wide HFOV	29.9°
POWER REQUIREMENTS	
Power Supply	12 V DC x 2
Average Power Consumption	3 W
Maximum Power Consumption	5 W
INTERFACES	
Operating Temperature	-32 °C, +70 °C
Storage Temperature	-40 °C, +75 °C
Analog Video Output	PAL / NTSC
ENVIRONMENTAL CONDITIONS	
Operating Temperature	-32 °C, +70 °C
Storage Temperature	-40 °C, +75 °C
SIZE AND WEIGHT	
Weight	450 g
Size	75x87x120 mm

Dimensions



Mounting Interface

